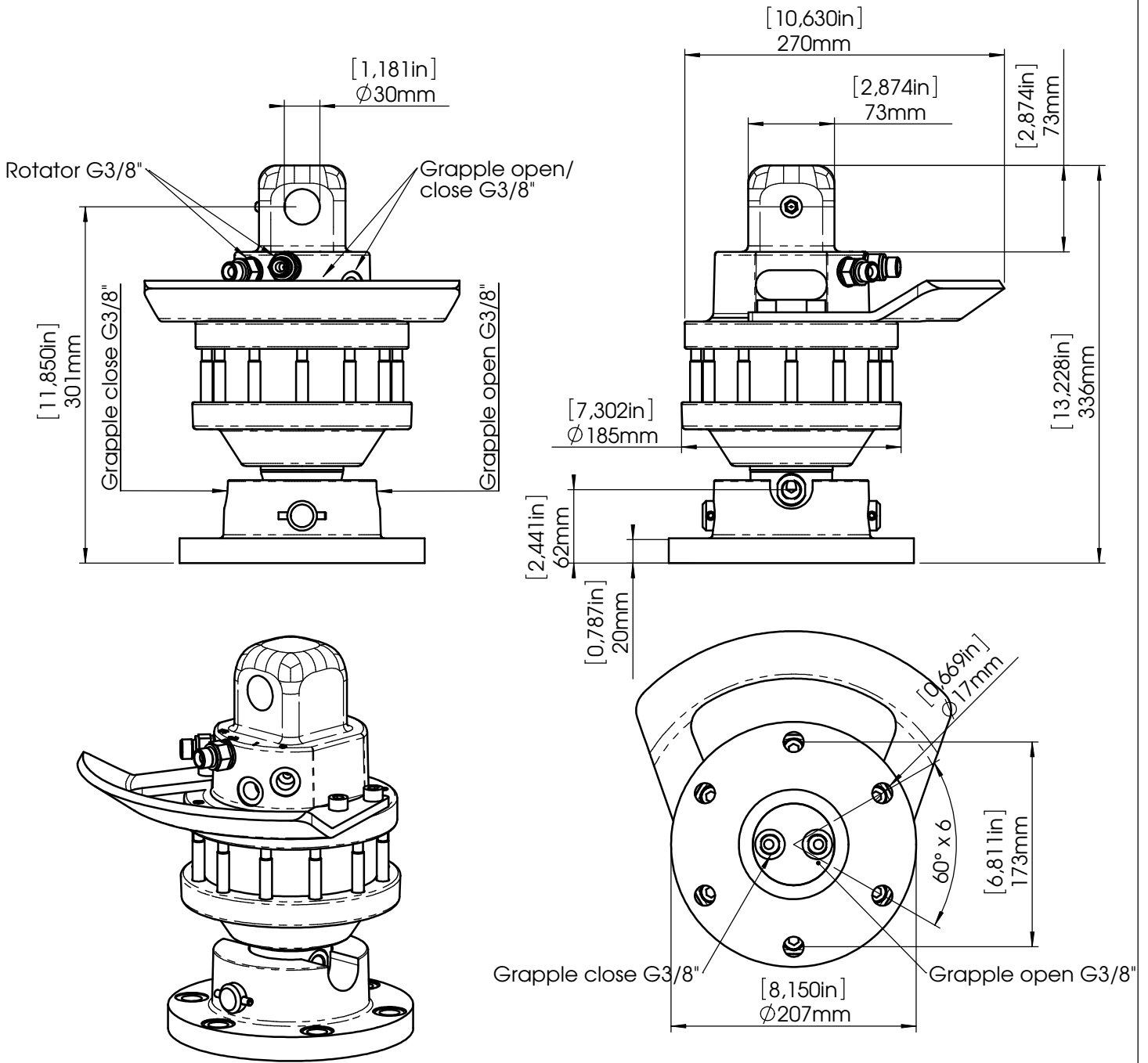
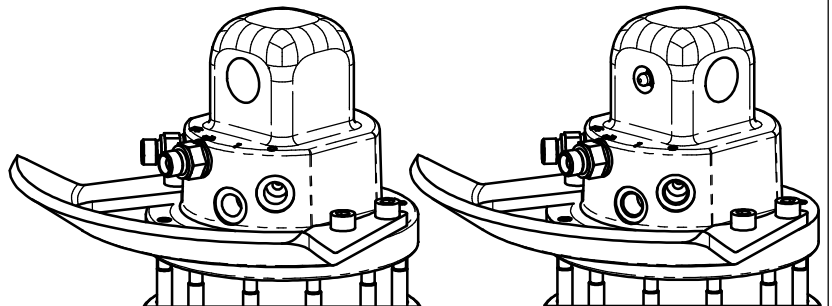


Rotator FR 15 F173



Direction W

Direction X



FR 15 F173	
Rotation angle	Unlimited
Max. working pressure	200 bar
Displacement	464 cm ³
Torque (200 bar)	1150 Nm
Max. axial force	82 kN
Safe working load	5500 kg
Weight	34 kg

Basic models				
Item	Name	Direction	D1	Flange
11512	FR 15-X30F173	X	30	F173
11514	FR 15-W30F173	W	30	F173